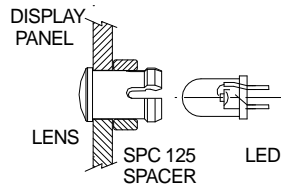
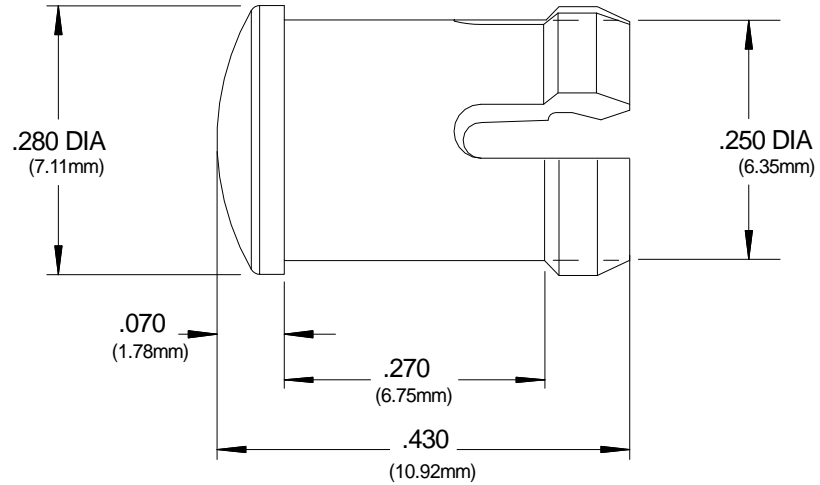
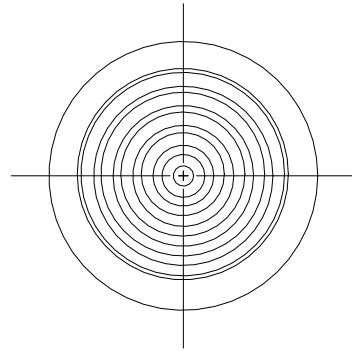




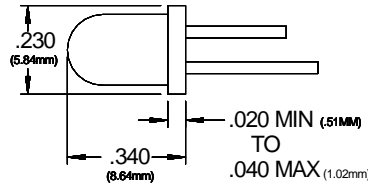
ACTUAL SIZE



ASSEMBLY

Insert lens through a .250" hole, (For thin panels, slide SPC 125 spacer on back of lens), and insert LED into lens.

**RECOMMENDED LED
SIZE T-1 3/4 (5MM)**



ORDERING CODES

MODEL CLB 300 RTP
COLOR _____

RTP Red Transparent BTP Blue Transparent
ATP Amber Transparent YTP Yellow Transparent
GTP Green Transparent CTP Clear Transparent
GLO White Translucent

NOTES:

MATERIAL: Polycarbonate (UL 94-V2)
GLO Series - Polycarbonate/Acrylic blend

DESIGN: Low profile lens using Fresnel rings.

MOUNTING: Mounts through the front of panel.
Mounting holes should be deburred but not chamfered.
Hole size .250" ±.002 (6.35mm) on 3/8" centers
Panel thickness 1/16" to 1/4".

For panels less than 3/16", spacer SPC 125 is available.

U.S. & Foreign Pat. Issued & Pend.

TOLERANCES (EXCEPT AS NOTED)	REVISIONS			
	NO.	DESCRIPTION	DATE	BY
DECIMAL ±.010	1	VARIOUS	5/91	JS
ANGLE ± 30'	2	Add GLO Series	1/6/09	JG
DIAMETER .003 TIR	3	Remove RNG 268, add UL rating to PC	9/16/09	AZ
RADI .008 Max	4			
	5			

VCC P/N: CLIPLITE® CLB 300

VCC VISUAL COMMUNICATIONS COMPANY, INC.
190 Bosstick Blvd, Ste. 101 San Marcos, California 92069 U.S.A.
Phone: (760) 560-1300; Fax: (760) 560-1301; e-mail: vccsales@vcclite.com

DRAWN BY JMS	DATE 10/25/85	DRAWING NO. CLB300A	REV. 3
CHKD DPZ 09/16/09	SCALE 5 X		